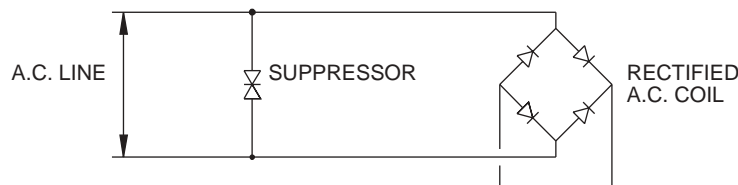
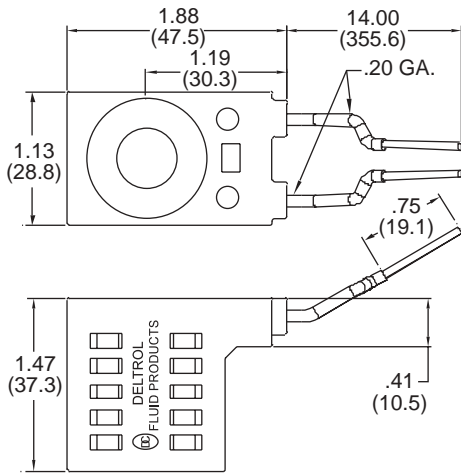


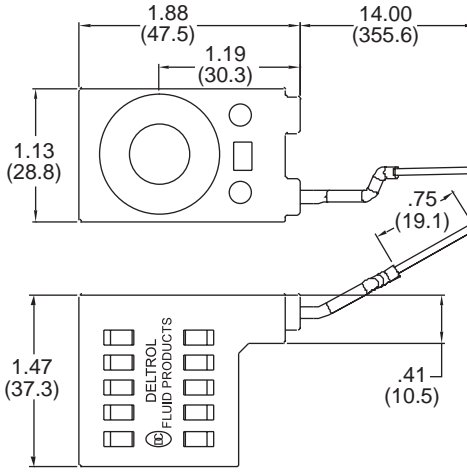
# Solenoid Coil Features/Specifications

- **STANDARD VOLTAGE:** 12, 24, 36, AND 48, VOLTS D.C.  
115 AND 230 VOLTS A.C.
- **WATTAGE:** ALL 080 SERIES ARE NOMINALLY 16 WATTS AT 68°F./20°C.  
ALL 100 SERIES ARE NOMINALLY 22 WATTS AT 68°F./20°C.
- **DUTY RATING:** CONTINUOUS AT 100% VOLTAGE.
- **AMBIENT OPERATING TEMPERATURE:** 212°F./100°C. CONTINUOUS AT NOMINAL VOLTAGE.
- **MAGNET WIRE:** ALL 100 SERIES ARE THERMAL CLASS 200°C., NEMA PUB, NO. MW1000
- **ENCAPSULATING MATERIAL:** THEROPLASTIC POLYESTER (PET).
- **LEAD WIRES:** 18/20 GAUGE X 14"/24" LONG (REFER TO COIL DATA PAGES) MEETS SAE J1128 XLPE, TYPE SXL.
- **A.C. VOLTAGE COILS:** INTERNALLY FULL WAVE RECTIFIED TO SUPPLY THE COIL WINDING WITH D.C. CURRENT THEREFORE THE COIL WINDING HAS NO "INRUSH" CURRENT, SUITABLE FOR 50 OR 60 HERTZ (Hz) CYCLE APPLICATIONS. THE RECTIFIERS USED IN A.C. COILS MAY REQUIRE PROTECTION FROM TRANSIENT OVER VOLTAGES EXCEEDING 1000 VOLTS. PROTECT RECTIFIED A.C. COILS BY INSTALLING A COMMERCIALY AVAILABLE NONPOLARIZED SELENIUM DIODE SUPPRESSOR OR METAL-OXIDE VARISTOR ACROSS THE A.C. COIL AS SHOWN.

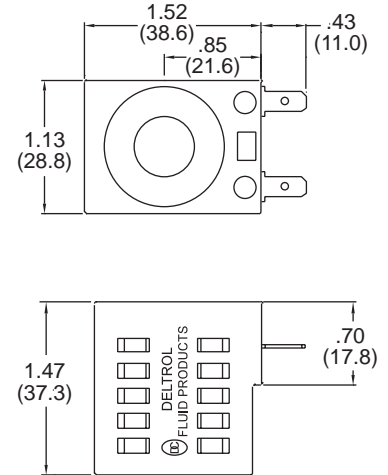




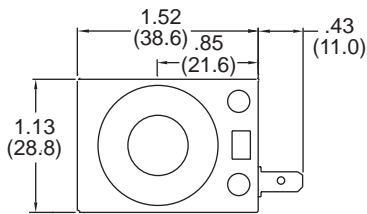
**\*\*D**  
DOUBLE LEADS



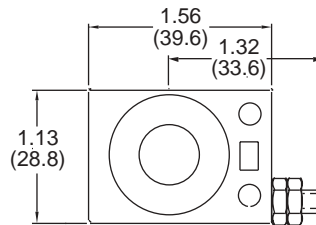
**\*\*S**  
SINGLE LEAD (D\*SS ONLY)



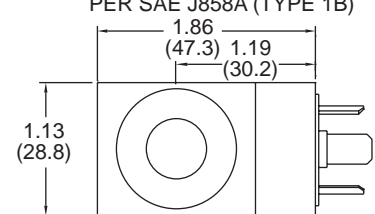
**\*\*B**  
DOUBLE SPADE  
1/4" MALE QUICK-CONNECT  
PER SAE J858A (TYPE 1B)



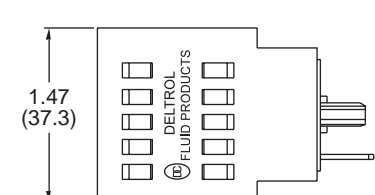
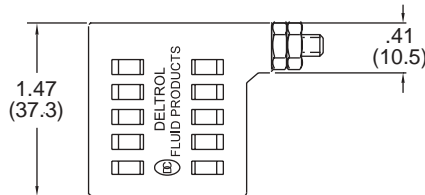
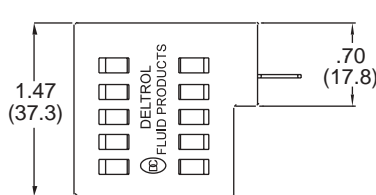
**\*\*A**  
SINGLE SPADE



**\*\*E**  
SINGLE STUD  
8-32 MALE STUD  
WITH 2 BRASS NUTS



**\*\*H**  
HIRSCHMANN GSR 200  
(2 POLE + GROUND  
APPLIANCE PLUG) TO DIN 43650



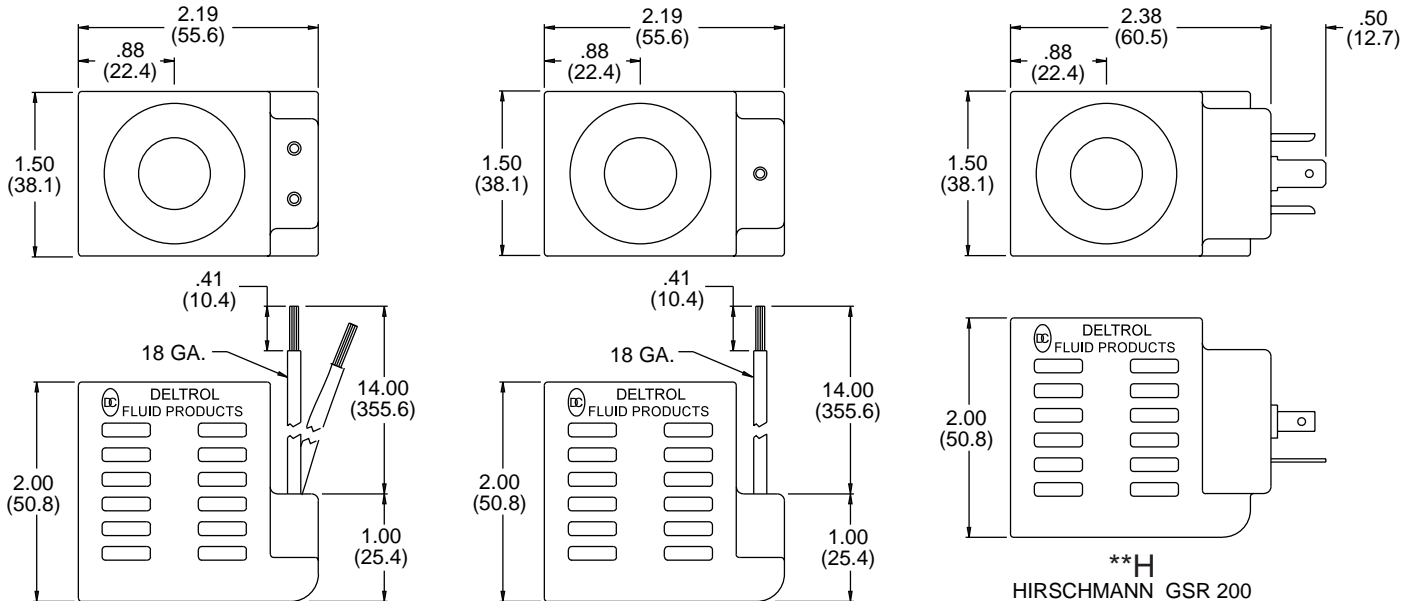
16 WATT NOMINAL				COIL ASSEMBLY PART NO.					
VOLTS	OHMS	INITIAL CURRENT DRAW (AMPS)	LEAD COLOR	**D	D*S	**H	D*A	**B	D*E
10 DC	6.25	1.85	GREEN	D10DS 10194-18	D10SS 10194-19	D10HS	D10AS 10222-46	D10BS 10221-46	D10ES 10196-60
12 DC	9	1.33	RED	D1DS 10184-42	D1SS 10184-32	D1HS	D1AS 10221-30	D1BS 10216-12	D1ES 10196-61
24 DC	36	.67	BLUE	D2DS 10184-37	D2SS 10190-44	D2HS	D2AS 10221-47	D2BS 10216-11	D2ES 10196-62
120 AC	Δ827	.15	BLACK	A50S 10184-49		A5HS		A5BS 10222-49	
240 AC	Δ3306	.07	YELLOW	A60S 10184-53		A6HS		A6BS 10222-50	

Δ RESISTANCE CANNOT BE MEASURED ON A.C. COIL ASSEMBLIES.

OTHER COIL OPTIONS AVAILABLE-CONSULT FACTORY.

# Solenoid Coil Data

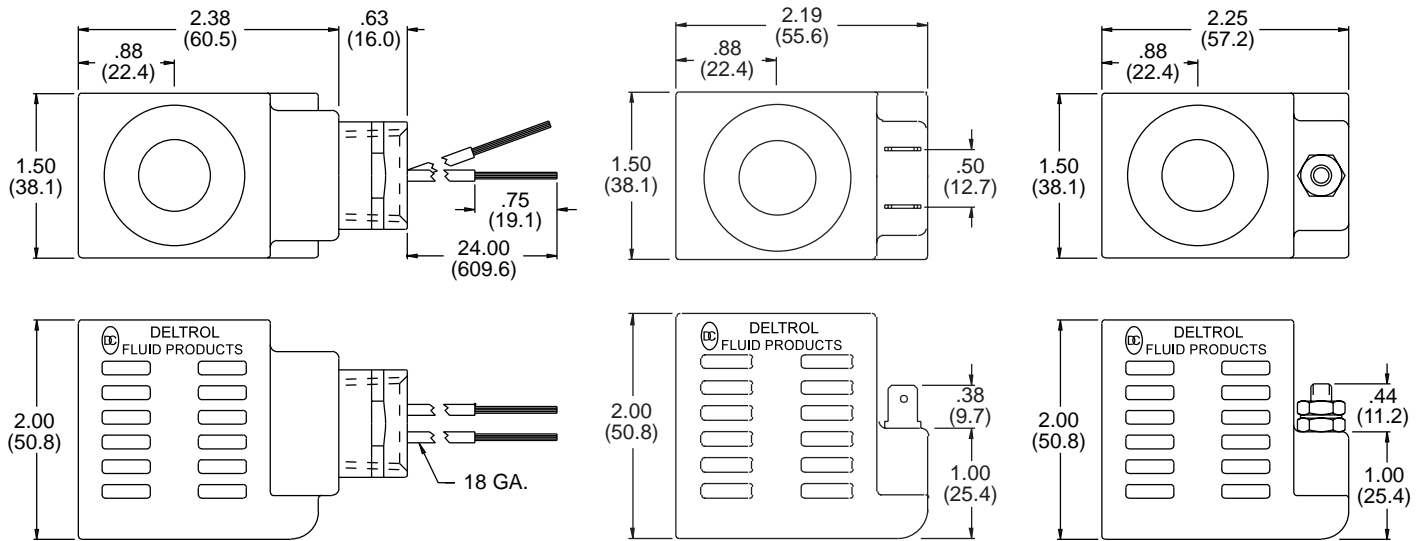
## SERIES 10



**\*\*D**  
DOUBLE LEADS

**\*\*S**  
SINGLE LEAD (D\*S ONLY)

**\*\*H**  
HIRSCHMANN GSR 200  
(2 POLE + GROUND APPLI-  
ANCE PLUG) TO DIN 43650



**\*\*C**  
CONDUIT (FEMALE 1/2-14 NPT)

**\*\*B**  
DOUBLE SPADE  
1/4" MALE QUICK-CONNECT  
PER SAE J858A (TYPE 1B)

**\*\*E**  
SINGLE STUD  
10-32 MALE STUD WITH  
2 BRASS NUTS AND 1 STEEL  
EXTERNAL TOOTH LOCKWASHER

22 WATT NOMINAL				COIL ASSEMBLY PART NO.					
VOLTS	OHMS	INITIAL CURRENT DRAW (AMPS)	LEAD COLOR	**D	D*S	**H	**C	**B	D*E
12 DC	7	1.83	RED	D1D 10162-76	D1S 10164-10	D1H 10162-78	D1C 10162-80	D1B 10162-91	D1E 10164-13
24 DC	26	.92	BLUE	D2D 10162-77	D2S 10164-11	D2H 10162-79	D2C 10162-81	D2B 10162-92	D2E 10164-14
36 DC	59	.61	GRAY	D3D 10163-97	X	D3H 10164-00	D3C 10164-03	D3B 10164-06	X
48 DC	105	.46	ORANGE	D4D 10163-98		D4H 10164-01	D4C 10164-04	D4B 10164-07	
120 AC	Δ496	.18	BLACK	A5D 10162-82		A5H 10162-84	A5C 10162-86	A5B 10162-90	
240 AC	Δ1830	.18	YELLOW	A6D 10162-83		A6H 10162-85	A6C 10162-87	A6B 10164-09	

Δ RESISTANCE CANNOT BE MEASURED ON A.C. COIL ASSEMBLIES.

OTHER COIL OPTIONS AVAILABLE-CONSULT FACTORY.