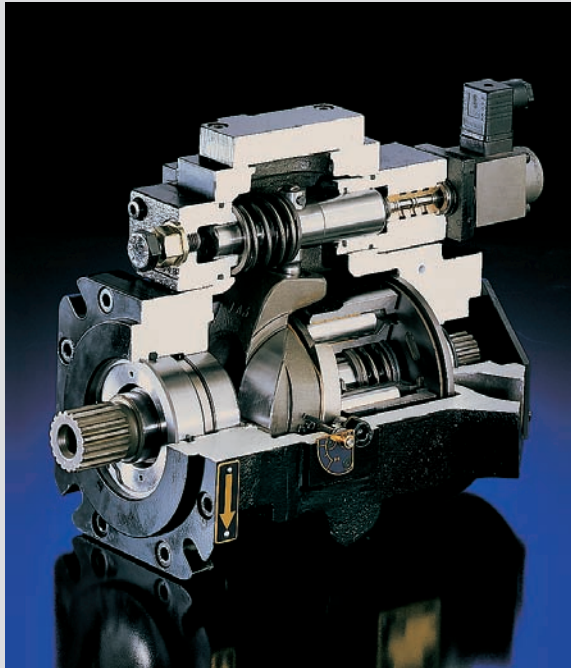


InLine axial piston variable displacement pumps type V30D



Nomenclature	Variable displacement axial piston pump
Oper. pressure	350 (420) bar
Geom. displ.	45 ... 250 cm ³ /rev
Delivery flow at 1450 rpm at 1800 rpm	65 ... 365 lpm 81 ... 450 lpm
Pump controller	Power control Load-Sensing control Pressure compensator Flow compensator Proportional control (electrical, hydraulic) mechanical stroke limitation

The InLine variable displacement pump type V30D is a swash plate design where the delivery flow is determined by the angle of the swash plate. Thru-drives are available for mounting additional variable or fixed displacement pumps. The design of these pumps provide long service life, good performance/weight ratio and low noise level. The variable

displacement pumps are complemented by a complete line of controllers.

These pumps, together with our proportional spool valves type PSL(V) are ideally suited for a wide range of applications in industrial and mobile hydraulics.

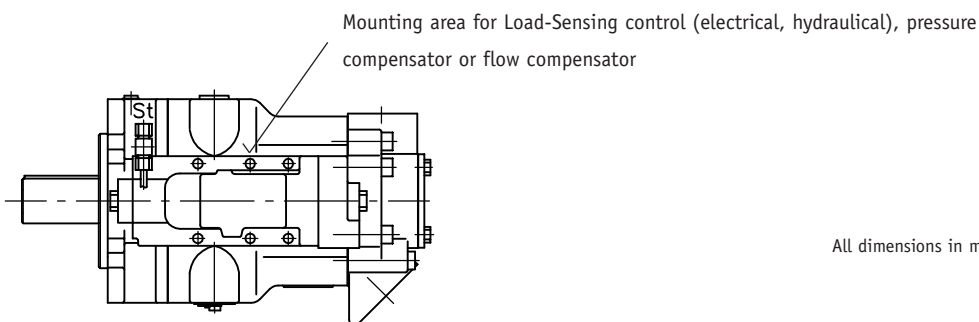
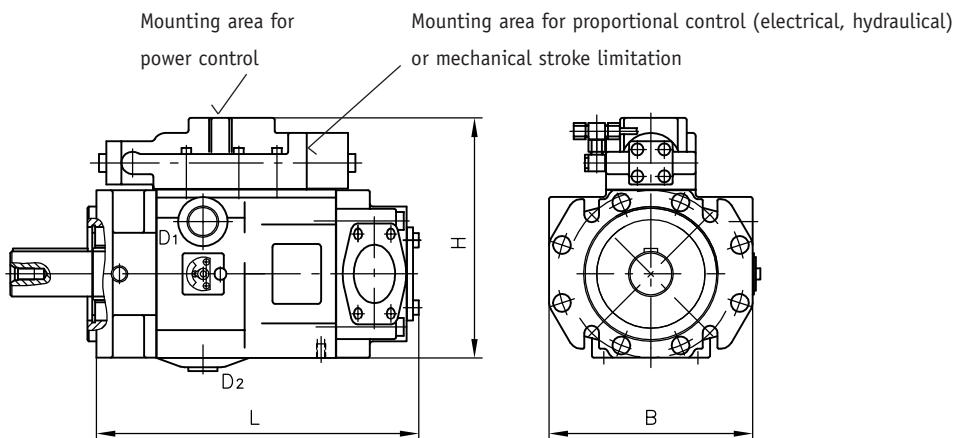
Features and benefits

- Favourable performance/price ratio
- Maximum operation pressure 420 bar
- Maximum 7 displacement sizes between 45 to 250 cm³/rev
- Quick but responsive flow- / pressure adaptation
- Thru-shaft enables tandem-pump combinations or direct mounting of an auxiliary pump of various design
- Sturdy design with long service life
- Low specific weight
- Low noise level
- Wide pump controller range
- Tailored valve and accessory range

Technical data

Basic type	V30D -045	V30D -075	V30D -095	V30D -115	V30D -140	V30D -160	V30D -250
Geom. displacement (cm ³ /rev)	45	75	95	115	140	160	250
Nom. delivery at 1450 rpm (lpm)	65	109	139	167	206	238	365
at 1800 rpm (lpm)	81	135	171	207	252	288	450
Nom. pressure p_{nom} (bar)	350	350	350	250 ¹⁾	350	250 ¹⁾	350
Pressure p_{max} (bar)	420	420	420	300 ¹⁾	420	300 ¹⁾	420
Max. revolution rating self-priming (rpm)	2600	2400	2200	2000	2200	1900	1600
Mass incl. pump controller (kg)	46	66	76	76	91	91	136

¹⁾ Higher pressure only
with reduced geom.
displacement

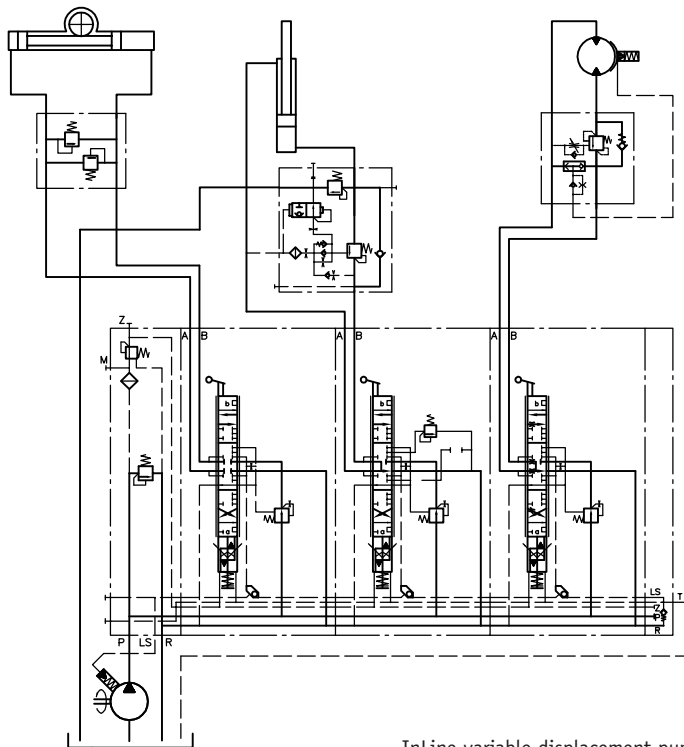


All dimensions in mm, subject to change without notice !

Basic type	V30D -045	V30D -075	V30D -095	V30D -115	V30D -140	V30D -160	V30D -250
H	232	256	283	283	313	313	321
L	268	310	178	178	363	363	432
B	160	341	196	196	212	212	272

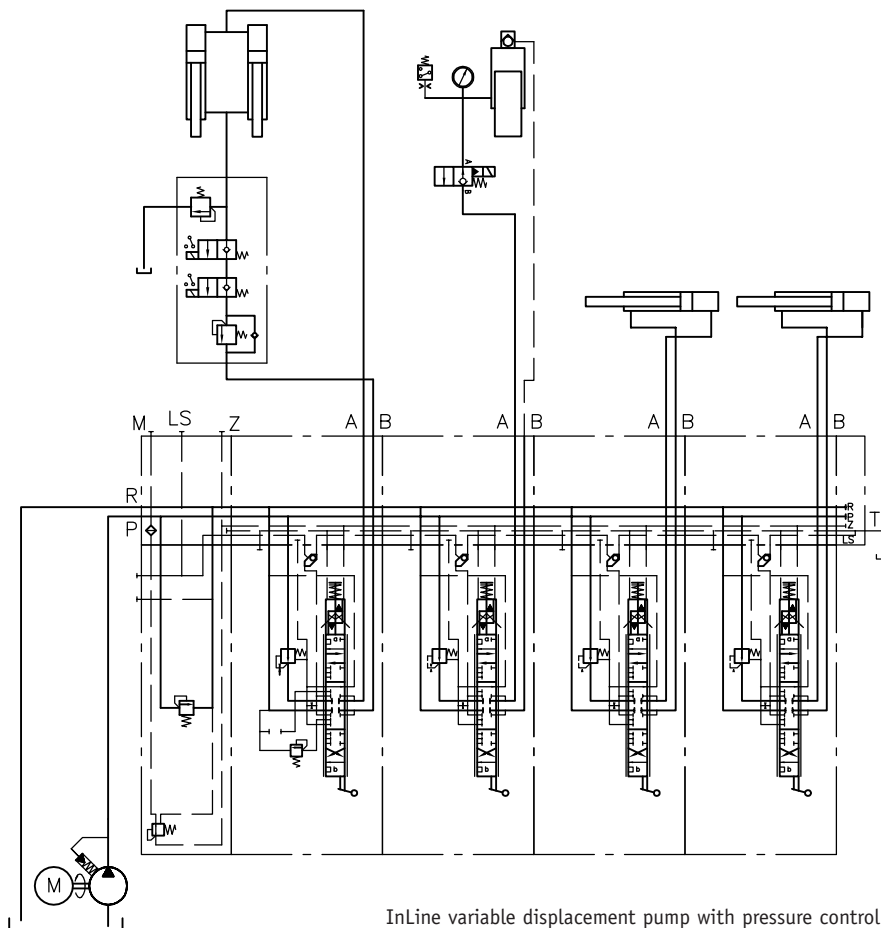
Example circuit

Mobile hydraulics



InLine variable displacement pump with Load-Sensing control and proportional spool valve type PSV

Industrial hydraulics



InLine variable displacement pump with pressure control and manifold mounting prop. spool valve type PSVF

Additional information related to this topic

• Product overview	K 177
• InLine axial piston variable displacement pump type V30D	D 7960
• InLine axial piston variable displacement pump type V30E	D 7960 E
• InLine axial piston variable displacement pump type V60N	D 7960 N
• Proportional directional spool valve banks size 2 type PSL and PSV	D 7700-2
• Proportional directional spool valve banks size 3 type PSL, PSV and PSM	D 7700-3
• Proportional directional spool valve banks size 5 type PSL and PSV	D 7700-5
• Proportional directional spool valve banks via sub-plates type PSLF and PSVF	D 7700 F
• Over-center valves type LHK	D 7100
• Over-center valves type LHDV	D 7770
• Over-center valves type LHT	D 7918



ISO 9001:2000
Zertifikat Nr. 12 100 4503

HAWE Hydraulik SE
Streitfeldstraße 25
D-81673 München
Tel. ++49 89 37 91 00-0
Fax ++49 89 37 91 00-1269
info@hawe.de
<http://www.hawe.de>

Solutions for a World under Pressure

HAWE
HYDRAULIK