

1       — M M  
A / B / C / D Maker

## AC-MOTOR

A	CODE	XXXXXX	H	S	T	F
	VOLTAGE	Without motor	110V	220V	230 / 400V	254 / 440V
	TYPE		AC Single-phase motor		AC three-phase motor	

B	CODE	2	4	6
	POLE	2 pole	4 pole	6 pole

C	CODE	01	03	07	10	15	18	22	30	40
	POWER(kW)	0.18	0.37	0.75	1.0	1.5	1.8	2.2	3.0	4.0

D	CODE	50	60	56	<b>Note.</b> 1. 3-phase motor is double frequency type (50/60Hz) 2. 1-phase motor is single frequency type (50Hz or 60Hz)
	FREQUENCY	50Hz	60Hz	50/60Hz	

### AC - Motor code & Information

CODE	PART NUMBER	VOLTAGE (V)	POWER (kW)	FREQUENCY (Hz)	INSULATION CLASS	FRAME	PAGE
*H40160	*****	110	0.18	60	F	63	
S40160	*****	220	0.18	60	F	63	
T40156	*****	230/400	0.18	50/60	F	63	
F40156	*****	254/440	0.18	50/60	F	63	
*H40360	*****	110	0.37	60	F	71	
S40360	*****	220	0.37	60	F	71	
T40356	*****	230/400	0.37	50/60	F	71	
F40356	*****	254/440	0.37	50/60	F	71	
*H40760	*****	110	0.75	60	F	80	
S40760	*****	220	0.75	60	F	80	
T40756	*****	230/400	0.75	50/60	F	80	
F40756	*****	254/440	0.75	50/60	F	80	
*H41060	*****	110	1.0	60	F	90	
*S41060	*****	220	1.0	60	F	90	
T41056	*****	230/400	1.0	50/60	F	90	
F41056	*****	254/440	1.0	50/60	F	90	
*H41560	*****	110	1.5	60	F	90	
S41560	*****	220	1.5	60	F	90	
T41556	*****	230/400	1.5	50/60	F	90	
F41556	*****	254/440	1.5	50/60	F	90	

**Note.** \*1 Available on order.

## AC-MOTOR

### AC - Motor code & Information

CODE	PART NUMBER	VOLTAGE (V)	POWER (kW)	Frequency (Hz)	INSULATION CLASS	FRAME	PAGE
*H41860	*****	110	1.8	60	F	90	
S41860	*****	220	1.8	60	F	90	
T41856	*****	230/400	1.8	50/60	F	90	
F41856	*****	254/440	1.8	50/60	F	90	
*H42260	*****	110	2.2	60	F	90	
S42260	*****	220	2.2	60	F	90	
T42256	*****	230/400	2.2	50/60	F	90	
F42256	*****	254/440	2.2	50/60	F	90	
*H43060	*****	110	3.0	60	F	100	
*S43060	*****	220	3.0	60	F	100	
T43056	*****	230/400	3.0	50/60	F	100	
*F43056	*****	254/440	3.0	50/60	F	100	
*H44060	*****	110	4.0	60	F	112	
*S44060	*****	220	4.0	60	F	112	
T44056	*****	230/400	4.0	50/60	F	112	
F44056	*****	254/440	4.0	50/60	F	112	

**Note.** \*:\* Available on order.  
HD : Hydor-Tek design  
B14 : International design

**Note.** 1. Please contact Hydro-Tek for 2pole, 6pole motors, B14 type motor, over 4kW and custom design motors.  
2. 4kw is international standard. (B14 type motor)

AC-MOTOR

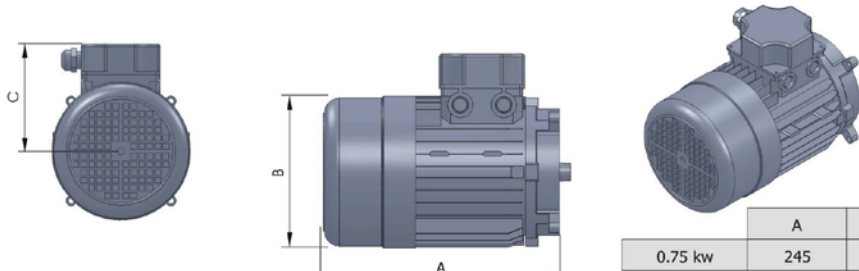


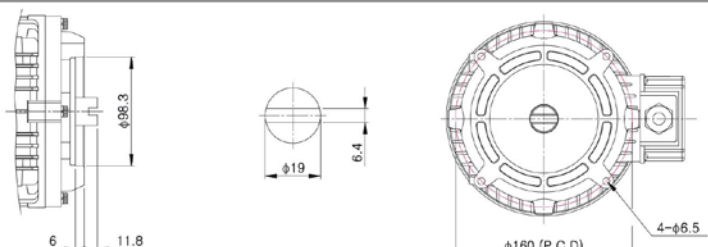
1 A B C D — M M  
A / B / C / D Maker

## AC-MOTOR

0.75 kw								
CODE (4POLE)	A		B	C	D	RATED CURRENT (A)	WEIGHT (kg)	
	PHASE	VOLTAGE (V)	POLE	POWER (kw)	FREQUENCY (Hz)			
<b>*H40760</b>	1Φ	110	4	0.75	60	****	****	
<b>S40760</b>		220				5.20	11.7	
<b>T40756</b>	3Φ	230/400			50/60	3.50	7.6	
<b>F40756</b>		254/440			3.10	7.6		
R.P.M	INSULATION CLASS	PROTECTION GRADE	EFFICIENCY	DUTY CYCLE		FRAME SIZE	DESIGN	ROTATION
1650	F	IP 55	70%	S1	S2	80	HD	C.W. →

1.0 kw								
CODE (4POLE)	A		B	C	D	RATED CURRENT (A)	WEIGHT (kg)	
	PHASE	VOLTAGE (V)	POLE	POWER (kw)	FREQUENCY (Hz)			
<b>*H41060</b>	1Φ	110	4	1.0	60	****	****	
<b>*S41060</b>		220				****	****	
<b>T41056</b>	3Φ	230/400			50/60	4.47	12.0	
<b>F41056</b>		254/440			4.07	12.2		
R.P.M	INSULATION CLASS	PROTECTION GRADE	EFFICIENCY	DUTY CYCLE		FRAME SIZE	DESIGN	ROTATION
1670	F	IP 55	76%	S1	S2	90	HD	C.W. →

OVERALL DIMENSION			
	A	B	C
	0.75 kw	245	Φ157
1.0 kw	285	Φ175	130

DIMENSION			
	6	11.8	Φ160 (P.C.D)

**Note.** Please contact Hydro-Tek for \*\*\*\*.  
Please contact Hydro-Tek for single phase 50Hz AC motor.

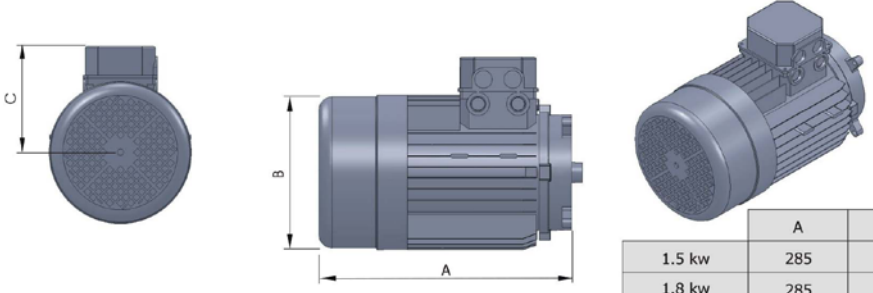
**AC-MOTOR**

1     — M M  
A / B / C / D Maker

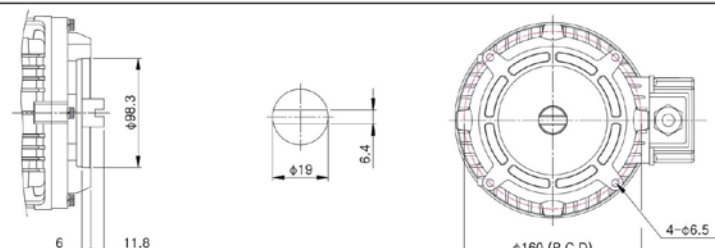
**AC-MOTOR**

1.5 kw									
CODE (4POLE)	A		B	C	D	RATED CURRENT (A)	WEIGHT (kg)		
	PHASE	VOLTAGE (V)	POLE	POWER (kw)	FREQUENCY (Hz)				
<b>*H41560</b>	1Φ	110	4	1.5	60	****	****		
<b>S41560</b>		220				11.5	16.5		
<b>T41556</b>	3Φ	230/400			50/60	6.23	13.8		
<b>F41556</b>		254/440				5.40	12.0		
R.P.M	INSULATION CLASS	PROTECTION GRADE	EFFICIENCY	DUTY CYCLE		FRAME SIZE	DESIGN	ROTATION	
1680	F	IP 55	55%	S1	S2	90	HD	C.W. →	
1.8 kw									
CODE (4POLE)	A		B	C	D	RATED CURRENT (A)	WEIGHT (kg)		
	PHASE	VOLTAGE (V)	POLE	POWER (kw)	FREQUENCY (Hz)				
<b>*H41860</b>	1Φ	110	4	1.8	60	****	****		
<b>S41860</b>		220				13.30	16.5		
<b>*T41856</b>	3Φ	230/400			50/60	****	****		
<b>*F41856</b>		254/440				****	****		
R.P.M	INSULATION CLASS	PROTECTION GRADE	EFFICIENCY	DUTY CYCLE		FRAME SIZE	DESIGN	ROTATION	
1650	F	IP 55	60%	S1	S2	90	HD	C.W. →	

OVERALL DIMENSION		A	B	C
	1.5 kw	285	Φ175	130
	1.8 kw	285	Φ175	130

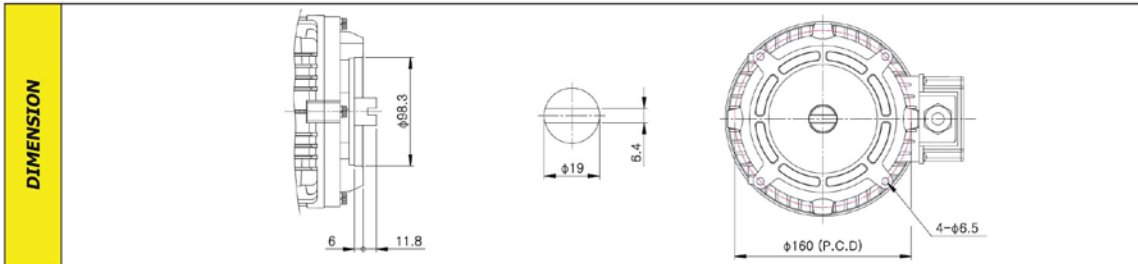
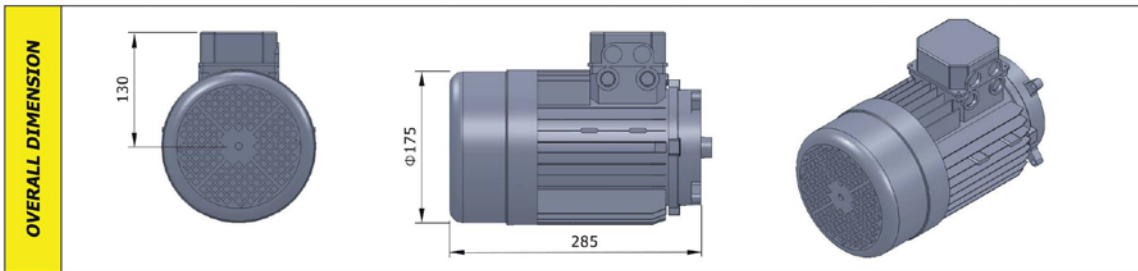
DIMENSION	
-----------	--

**Note.** Please contact Hydro-Tek for \*\*\*\*.  
Please contact Hydro-Tek for single phase 50Hz AC motor.

1 A B C D — M M  
A / B / C / D Maker

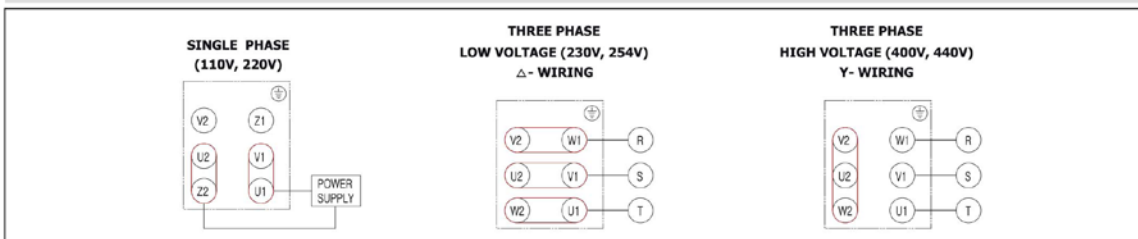
## AC-MOTOR

2.2 kw									
TECHNICAL DATA	CODE (4POLE)	A		B	C	D	RATED CURRENT (A)	WEIGHT (kg)	
		PHASE	VOLTAGE (V)	POLE	POWER (kw)	FREQUENCY (Hz)			
	<b>*H42260</b>	1Φ	110		4	2.2	50	****	****
	<b>S42260</b>		220					****	****
	<b>T42256</b>	3Φ	230/400				50/60	8.10	15.0
<b>F42256</b>	254/440		7.40	14.8					
R.P.M	INSULATION CLASS	PROTECTION GRADE	EFFICIENCY	DUTY CYCLE		FRAME SIZE	DESIGN	ROTATION	
1695	F	IP 55	82%	S1	S2	90	HD	C.W. →	

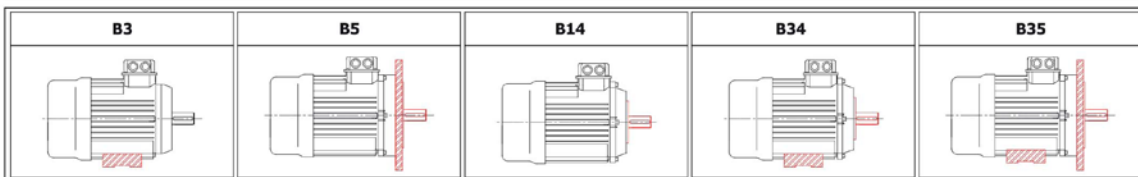


**Note.** Please contact Hydro-Tek for \*\*\*\*.  
Please contact Hydro-Tek for single phase 50Hz AC motor.

### Wiring diagram



### International standard motor design





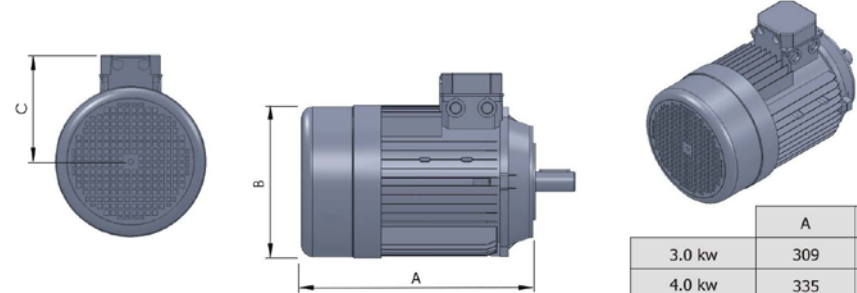
**AC-MOTOR**

1      — M M  
A / B / C / D Maker

**AC-MOTOR**

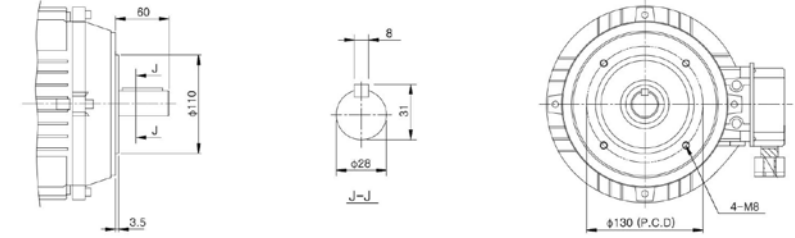
3.0 kw								
CODE (4POLE)	A		B	C	D	RATED CURRENT (A)	WEIGHT (kg)	
	PHASE	VOLTAGE (V)	POLE	POWER (kw)	FREQUENCY (Hz)			
<b>*H43060</b>	1Φ	110	4	3.0	60	****	****	
<b>*S43060</b>		220				****	****	
<b>T43056</b>	3Φ	230/400			50/60	****	22.1	
<b>*F43056</b>		254/440				****	****	
R.P.M	INSULATION CLASS	PROTECTION GRADE	EFFICIENCY	DUTY CYCLE		FRAME SIZE	DESIGN	ROTATION
1700	F	IP 55	80%	S1	S2	100	B14	C.W. →
4.0 kw								
CODE (4POLE)	A		B	C	D	RATED CURRENT (A)	WEIGHT (kg)	
	PHASE	VOLTAGE (V)	POLE	POWER (kw)	FREQUENCY (Hz)			
<b>*H44060</b>	1Φ	110	4	4.0	60	****	****	
<b>*S44060</b>		220				****	****	
<b>T44056</b>	3Φ	230/400			50/60	14.30	27.2	
<b>F44056</b>		254/440				12.10	27.5	
R.P.M	INSULATION CLASS	PROTECTION GRADE	EFFICIENCY	DUTY CYCLE		FRAME SIZE	DESIGN	ROTATION
1710	F	IP 55	83%	S1	S2	112	B14	C.W. →

**OVERALL DIMENSION**



	A	B	C
3.0 kw	309	∅198	152
4.0 kw	335	∅220	156

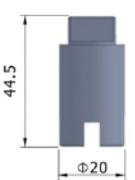
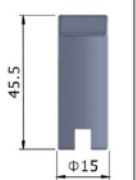
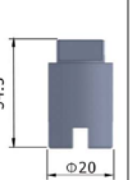
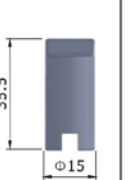
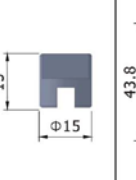
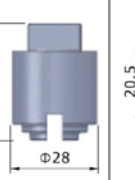
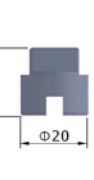
**DIMENSION**



**Note.** Please contact Hydro-Tek for \*\*\*\*.  
Please contact Hydro-Tek for single phase 50Hz AC motor.

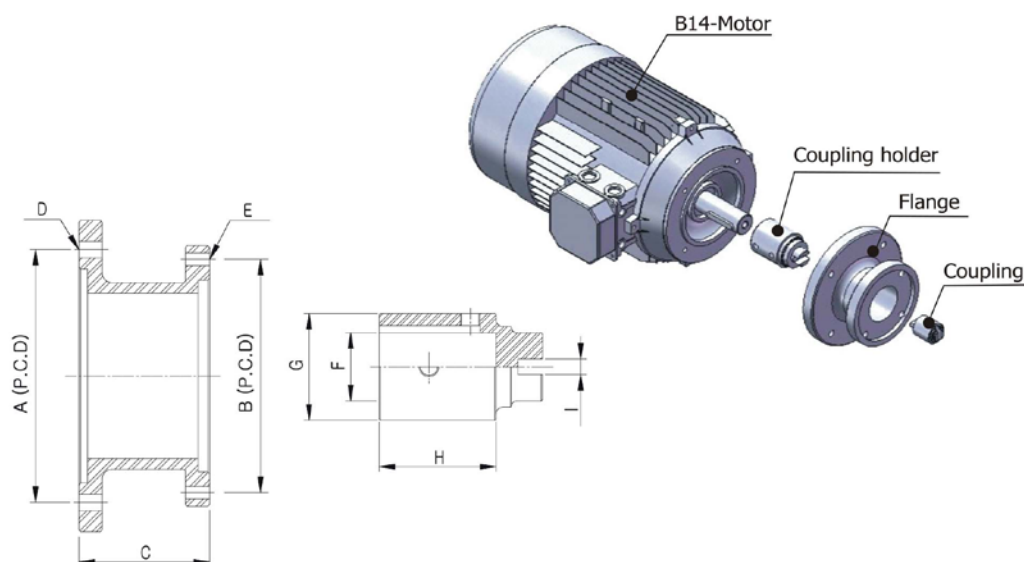
## MOTOR FLANGE & COUPLING

### Coupling for DC - Motor & AC - Motor

CODE	CP01	CP02	CP03	CP04	CP05	CP06	CP07
APPLICABLE CENTER BLOCK	XO / MO	MH / XH QH / QD	CO	CH	SH / SD	XO / MO (In case of B14-Motor)	DX / DF (P.M.U)
DIMENSION							

### Flange & coupling kit for international standard AC - motor (B14 - type)

FLANGE CODE	COUPLING HOLDER CODE	FRAME	A	B	C	D	E	F	G	H	I
<b>F080</b>	<b>C080</b>	80	100	90	59.2	6.5	6.5	19	32	30	6.4
<b>F090</b>	<b>C090</b>	90	115	90	59.2	8.5	6.5	24	40	40	6.4
<b>F112</b>	<b>C112</b>	100/112	130	120	67.2	8.5	6.5	28	44	48	6.4



- Note.**
1. This flange and coupling can be assembled with B14 type motor and Hydro-Tek center block.
  2. You can purchase B14 Motors in your area.