

Shut-off valves type DA and EA

The shut-off valves types DA and EA are of ball seated design and are available in two sizes. They are used in hydraulic systems for blocking the flow in one or both directions.

They are available with hand lever or with eccentric shaft for customer furnished hand lever. Both versions can be ordered either with or without detent.

Nomenclature: Directional seated valve, zero leakage

Design: Individual valve for pipe connection

Actuation: Manual

p_{max} : 500 bar

Q_{max} : 60 ... 150 lpm



Basic types and general parameters

Basic type and size	Flow	Oper. pressure	Tapped ports (BSPP)
	Q_{max} (lpm)	p_{max} (bar)	A, B
DA 2, EA 2	60	500	G 3/4
DA 2B, EA 2B	60	500	G 3/4
DA 3, EA 3	150	500	G 1

Symbols and actuations

With hand lever Without hand lever Hand lever with detent

DA 2

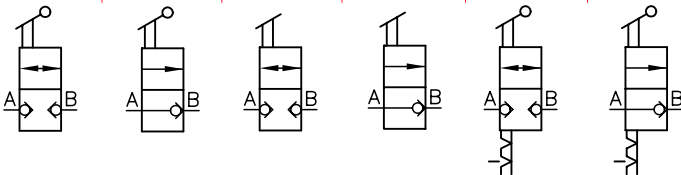
EA 2

DA 2B

EA 2B

DA 3

EA 3



Order example

DA 3 double acting shut-off valve type DA, size 3

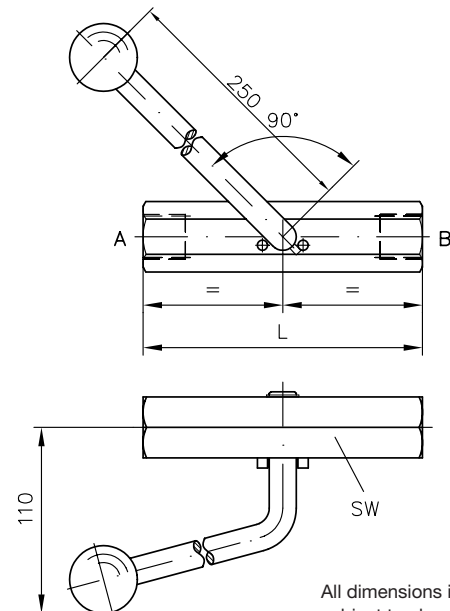
Additional information

- Shut-off valves type DA/EA D 1741
- Directional seated valves type VH, VHR, VHP D 7647

For page and section of the devices additionally listed, see type index

Dimensions

(see order example)



All dimensions in mm, subject to change without notice!

Basic type	L	SW	m (kg)
EA 2 (B)	165	a/f 36	1.3 ... 1.5
DA 2 (B)	165	a/f 36	1.3 ... 1.5
EA 3	200	a/f 50	3.0 ... 3.2
DA 3	200	a/f 50	3.0 ... 3.2