

Throttles and restrictor check valves type CQ, CQR, and CQV

Throttles type CQ, CQR, and CQV are flow valves, which are used in hydraulic circuits to control the flow of single and double acting actuators.

These valves are designed as slot-type throttles, making them rather tolerant to micro contamination otherwise clogging annular gap valve designs.

The check valve function of type CQR and CQV is via a shim type valve element ensuring immediate response. The spindle shaft is sealed twice, which allows adjustment without external leakage even while the system is pressurized.



Nomenclature: Throttle
Restrictor check valves

Design: Screw-in valve

Adjustability: Tool adjustable

p_{max} : 700 bar

Q_{max} : 50 lpm

Basic types and general parameters

Basic type and size	Flow Q_{max} (lpm)	Oper. pressure p_{max} (bar)	Symbol	Note
CQ 2				Basic throttle Throttle direction A → B and B → A rather equal
CQR 2	50	700		Restrictor check valve Throttle direction B → A
CQV 2				Restrictor check valve Throttle direction A → B

Additional versions

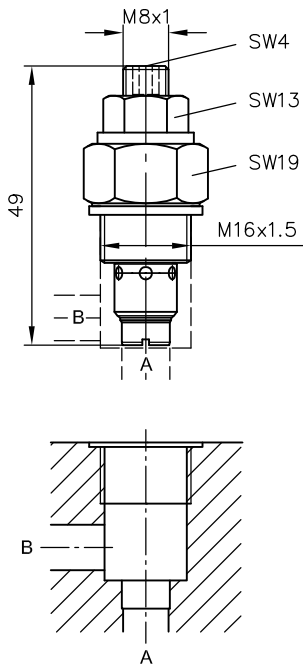
- Connection block for direct pipe connection

Order examples

CQR 2

Restrictor check valve, free flow A → B

Dimensions



All dimensions are in mm, and subject to change without notice!

Further information

- Throttles and restrictor check valves
 - type CQ, CQR, CQV D 7713
 - type ED, RD, RDF D 7540
 - Throttles type Q, QR, QV D 7730
 - Fine throttle type FG D 7275
- See also section "Devices for special applications"
(Devices for up to 700 bar)
- For page and section of the devices additionally listed, see type index