

Connection blocks type A, B, and C

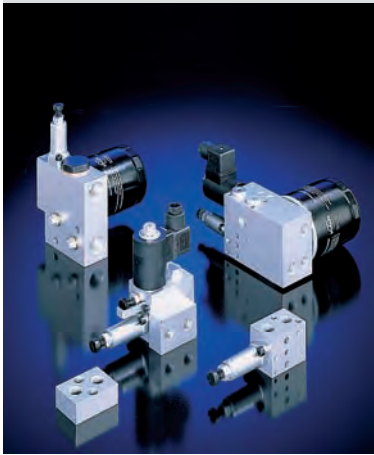
The HAWE connection blocks provide the "ready for connection" feature for compact hydraulic power packs type FP, HC, KA, MP(N) and HK(F). Compact control systems can be created by directly mounting valve banks onto type A connection blocks (see also "Turn-key solutions from our modular system").

Nomenclature: Connection blocks to the completion of hydraulic power packs

Design: Add-on valve enabling pipe connection or direct mounting of valve banks

P_{max} : 700 bar

Q_{max} : approx. 20 lpm



Basic types

Basic type	Brief description	Options	Symbol
A	<p>Connection block with pressure limiting valve</p> <ul style="list-style-type: none"> For direct pipe connection For direct mounting of valve banks 	<ul style="list-style-type: none"> Check valve in port P Prop. pressure limiting valve Return filter Idle circulation valve (solenoid actuated) Switch-off valve Pressure limiting valve, tool or manually adjustable 	<p>Type A</p>
B	<p>Connection block for the control of single and double acting cylinders with pressure limiting valve suitable for pipe connection</p>	<ul style="list-style-type: none"> Check valve in port P Throttle for the regulation of the drop rate Idle circulation valve, open or closed in idle position Pressure switch in port P 	<p>Type B</p>
C	<p>Connection block without additional elements for direct pipe connection</p>		<p>Type C</p>

Additional versions

- Intermediate blocks for dual stage pumps type S., V., C30
- Connection block for direct mounting of directional spool valves type SKC and SWC
- Connection block for dual stage pumps
- Adaptor blocks type C15, C16, C36 enabling direct piping for other connection blocks type A or B (type C 15(16) features the hole pattern of the pump pedestal at one side)
- Spacer for single and dual circuit pumps type U..

- Auxiliary intermediate block for 2. pressure stage type V../..., S../...
- Connection block type B..DW featuring a pressure actuated valve enabling automatic clamping and releasing
- Direct connection of valve banks type VB, BWH(N), BVZP, and SWR(P) on to connection blocks type A (see also "Additional information")
- Connection blocks type A utilizing a pressure limiting valve with unit approval with/without return filter

Order examples

HK 44/1 - H 2,08 - **AS 3 F2/400 - G24**

Connection block type A with idle circulation valve (coding S, open in idle position), tool adjustable pressure limiting valve (coding 3, 400 bar) and return flow filter (coding F2), solenoid voltage 24V DC

FP 12 / H 0,27 - **C 5**

Connection block type C, tapped ports G 1/4 (coding 5)

HC 34/1,5 - **B 31/450 - EM 11V - 13/3 - G24**

Connection block type B with tool adjustable pressure limiting valve (coding 3, 450 bar), drain valve type EM 11V, check valve in port P and throttle (coding 13) as well as pressure switch type DG 33 (coding 3), solenoid voltage 24V DC

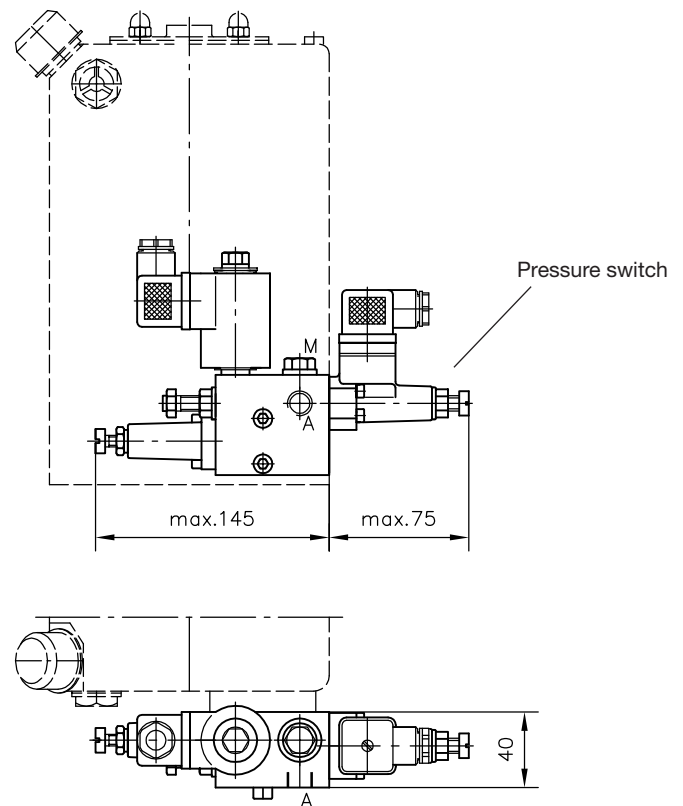
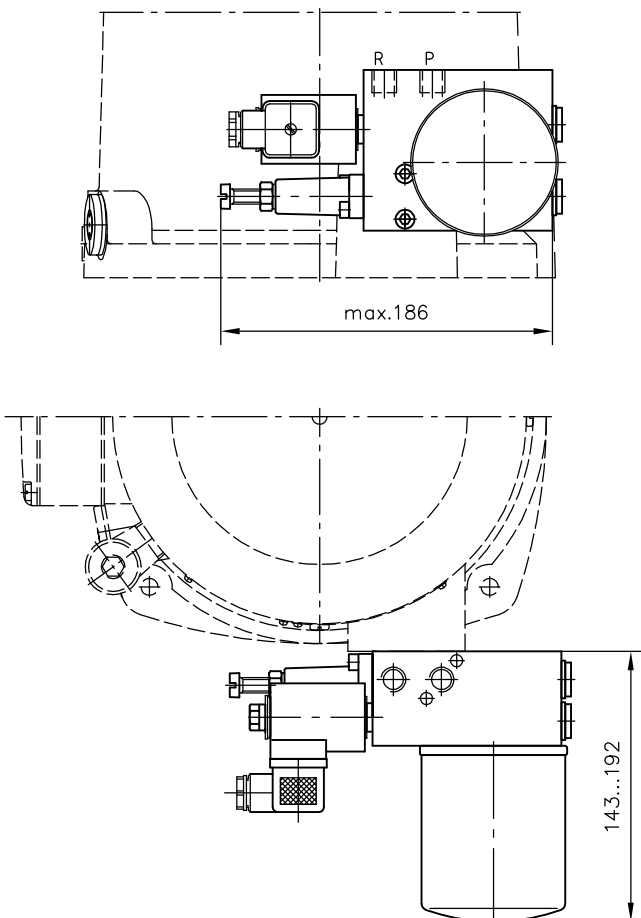
Dimensions

Type AS ..

(see order example)

Type B..

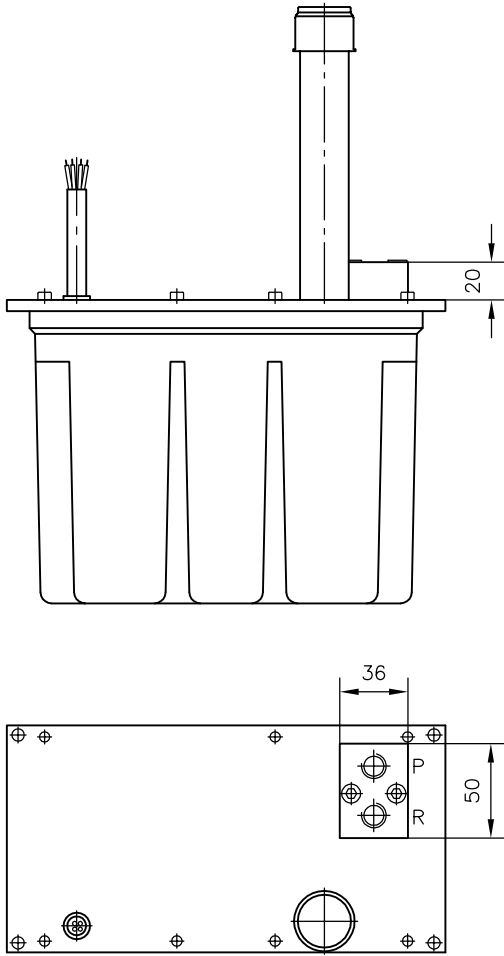
(see order example)



All dimensions in mm, subject to change without notice!

Type C ..

(see order example)



Additional information

- Connection blocks
 - type A etc. D 6905 A/1
 - type AX D 6905 TÜV
 - type B D 6905 B
 - type C D 6905 C
- Compact hydraulic power packs
 - type FP D 7310
 - type MP, MPW, D 7200, D 7200 H
 - type MPN, MPNW D 7207
 - type HC, HCW, HCG D 7900, D 7900 G
 - type HK, HKF D 7600-2, -3, -4
 - type HKL, HKLW D 7600-3L
 - type KA, KAW D 8010
- Two stage valve type NE D 7161
- Two stage connection block type NA D 6905 A/1
- Switch unit type CR D 7150
- Directional spool valves type SKC D 7230
 - type SWC D 7450
- Directly mountable valve banks
 - type VB D 7302
 - type BWH(N) D 7470 B/1
 - type BVZP D 7785 B
 - type SWR(P), SWS D 7450, D 7451, D 7951
 - type BA D 7788
 - type BVH D 7788 BV
- see also "Turn-key solutions from our modular system"

For section and page of the additionally listed devices, see type index

