

# Compact hydraulic power packs type KA and KAW

These ready for connection hydraulic power packs are intended for intermittent operation (S3) and used to supply pressurized fluid to consumers with low fluid demand, such as for jigs or machine tools or general machine building. The application range for this pump is further extended by the version with blower, type KA.. F., which enables permanent operation (S1).

The power pack consists of a housing (tank) with integrated motor and pump. The housing (tank) capacity can be increased by extensions.

There is a horizontal and a vertical version available. A filling gauge, enables visual control of the fluid level even during operation.

The electrical connection takes place via an integrated terminal box. Complete hydraulic control systems can be created by directly mounting various combinations of connection blocks and valve banks to the hydraulic power pack. Float switch as well as temperature switch are available as option for the optimal supervision.



**Nomenclature:** Radial piston or gear pump with integrated motor  
single or dual circuit pump

**Design:** Oil immersed hydraulic power pack for intermittent or load/no load operation (S3-service)

**$P_{max}$ :** Radial piston pump 700 bar  
Gear pump 180 bar

**$Q_{max}$ :** Radial piston pump approx. 7 lpm ( $V_g = 2.29 \text{ cm}^3/\text{rev}$ )  
Gear pump approx. 24.1 lpm ( $V_g = 7.9 \text{ cm}^3/\text{rev}$ )

**$V_{\text{tank max}}$ :** 2 ... 10 l

## Basic types and general parameters

Basic type and size	Parameter: Delivery flow $Q_{pu}$ (lpm), approximate reference value and max. pressure $p_{max}$ (bar) <sup>1)</sup>	3 cylinder					6 cylinder				Gear pump				
		Radial piston pump					Radial piston pump				Gear pump				
		0,33	0,66	1,18	1,51	0,59	1,33	2,36	2,99	1,1	2,0	3,5	4,5	6,9	11,3
KA 21	$Q_{pu}$	0.57	1.28	2.28	2.89	1.14	2.57	4.56	5.77	2.0	3.5	6.0	7.8	-	-
	$p_{max}$	700	320	180	140	360	160	90	70	170	105	60	45	-	-
KA 22	$Q_{pu}$	0.57	1.28	2.28	2.89	1.14	2.57	4.56	5.77	2.0	6.0	12.1	19.9	12.1	19.9
	$p_{max}$	700	380	570	200	150	120	285	225	170	170	95	55	95	55
KA 23	$Q_{pu}$	0.30	0.66	1.18	1.49	0.59	1.33	2.36	2.99	1.0	1.8	3.1	4.0	-	-
	$p_{max}$	700	430	240	190	485	215	120	95	170	140	80	60	-	-
KA 24	$Q_{pu}$	0.30	0.66	1.18	1.49	0.59	1.33	2.36	2.99	1.0	3.1	6.2	10.3	6.2	10.3
	$p_{max}$	700	700	650	510	700	580	325	255	170	170	110	65	110	65
KA 28	$Q_{pu}$	0.30	0.66	1.18	1.49	0.59	1.33	2.36	2.99	1.0	3.1	6.2	10.3	6.2	10.3
	$p_{max}$	700	700	700	590	700	670	375	295	170	170	125	75	125	75

## Additional parameter

Basic type and size	Rev. rating $n_N$ (rpm)	$P_N$ (kW) <sup>2)</sup>	Nom. voltage	Basic type and size	$V_{\text{usable max}}$ (e)	Symbol
KA 21	2790	0.55	3 ~ 400 V $\Upsilon$ 50 Hz <sup>3)</sup>	KA 2.	2	
KA 22	2790	1.1	3 ~ 230 V $\Delta$ 50 Hz <sup>3)</sup>	KA 2.1	3	
KA 23	1360	0.37	3 ~ 690 V $\Upsilon$ 50 Hz	KA 2.2	6	
KA 24	1360	0.75		KA 2.22	10	
KA 28	1370	1.0				

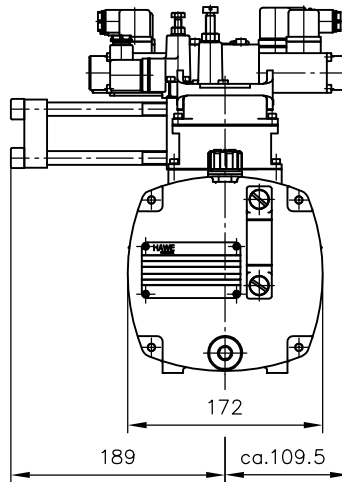
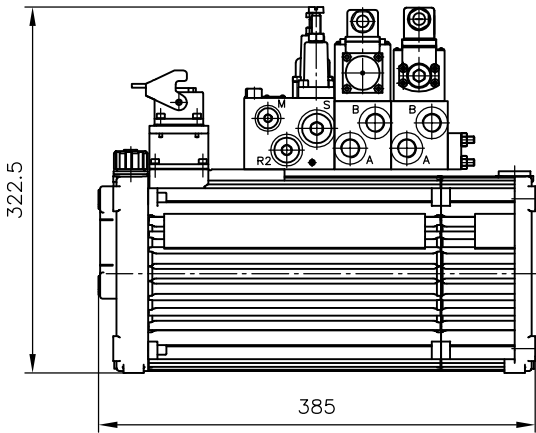
- <sup>1)</sup>  $Q_{pu}$  applies for mains 50 Hz,  $Q \sim 1.2 \times Q_{pu}$  for mains 60 Hz
- <sup>2)</sup> The actual power input depends on the respective operation pressure and can be up to  $1.5 \times P_N$ .
- <sup>3)</sup> Also suitable for mains 3 ~ 460 V  $\Upsilon$  60 Hz or 265 V  $\Delta$  60 Hz

### Additional versions

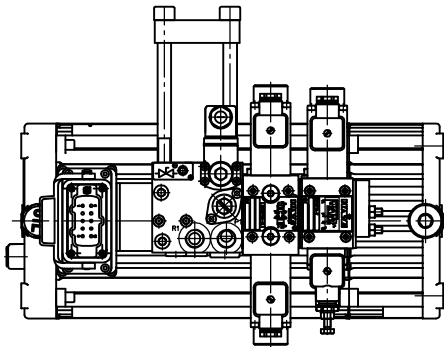
- Hydraulic power pack with AC-motor (e.g. 1 ~ 230V (50 Hz), 30 ... 50% reduced performance depending on size (type KAW..))
- Design for level installation (reduced height) (type KA...L)
- Version with fluid level gauge
- Version with dual stage pump
- Version for alternating rotation directions type KAM
- Completion with connection block and valve banks (see also "Additional information")
- Version with increased tank volume
- Version connected via plug (Co. HARTING)

### Dimensions

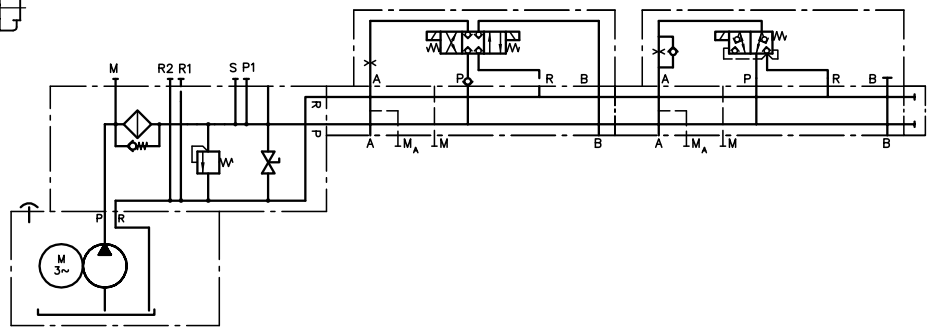
Dimensional drawing and symbol acc. to the order example.



All dimensions in mm, subject to change without notice!



KA 231 LKP/H 0,59 - A1 D 10-B 400-3/380  
 - BA 2 - NBVP 16 G/R/AB 2,0 - M/0  
 - NBVP 16 Y/ABR 1,5/4 - M/0  
 - 1 - G 24



### Additional information

- Compact hydraulic power packs
 

type KA	D 8010
type HC	D 7900
type HCG	D 7900 G
- Connection blocks
 

type A	D 6905 A/1
type B	D 6905 B
type C	D 6905 C
- Directly mountable valve banks
 

type VB	D 7302
type BWH(N)	D 7470 B/1
type BVZP	D 7785 B
- Directly mountable valve banks
 

type SWR, SWS	D 7450, D 7451, D 7951
type BA	D 7788
type BVH	D 7788 BV
- see also "Turn-key solutions from our modular system"
- see also section "Devices for special applications" (Hydraulics for clamping, Devices for up to 700 bar)

For section and page of the additionally listed devices, see type index