

Pressure switches type DG

Electro-hydraulic pressure switches are devices, which, when set under pressure close or open electrical contacts. They are widely used in applications where it is intended that, once a pre-set pressure is achieved and exceeded, an electrical switching command or signal should be triggered for further working cycles.

Many different versions (with pressure setting on a dial, with main and secondary switch, screw-on pressure switches) enable their use in many applications.

There is a design related difference of 8 ... 20 % between the upper switching point and the lower switching point. Only the electronic

pressure switch type DG 5 E gives provision to select two independant switch points and to set the hysteresis.

Type DT is an analogous pressure sensor.



Nomenclature: Spring loaded pressure switch (piston type)
Electr. pressure switch

Design: Manifold mounting version
Screw-in version
Version for pipe connection

P_{max}: 0 ... 700 bar

P_{max}: 0 ... 1000 bar

Basic types and general parameters

Basic type and size	Brief description	Adjustable pressure P _{max} (bar) ¹⁾	Connection thread (BSPP)	Symbol
DG 1 R	Adjustment via turn-knob at the dial	20 ... 600	G 1/2 or G 1/4 A	
DG 8	Version with two pressure switches Main switch: Adjustment via turn-knob at the dial Secondary switch: Adjustment via set screw	20 ... 600 and 20 ... 180	G 1/2 or G 1/4 A	
DG 3..	Compact design for manifold mounting Adjustment via set screw	4 ... 700	G 1/4 or G 1/4 A ²⁾	
DG 5 E	Electronic pressure switch with two	0 ... 600	G 1/4 A	
DG 6.	switch points	0 ... 400	G 1/4 A or M 5	
DT 11	Analogous pressure sensor	0 ... 1000	G 1/4 A	
DT 2		0 ... 600		

¹⁾ The max. operation pressure of 700 bar is not influenced by the max. set pressure

²⁾ For versions with adapter only

Additional versions

- Pressure switches with bezel for switch board installation (DG 1)
- Pressure switches with various connection threads or connection pipe (DG 3.)
- Lockable adjustment knob type DG 3 (see also section "Further information")

- Supply voltage 12 V DC, 24 V DC, 230 V AC 50/60 Hz
- Combination with various fittings (see also section "Further information")

Order examples

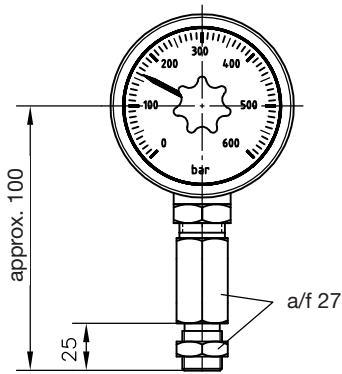
DG 1 R
Pressure switch type DG 1, pressure range 40...160 bar

DG 35
Pressure switch type DG 3, pressure range 20...210 bar

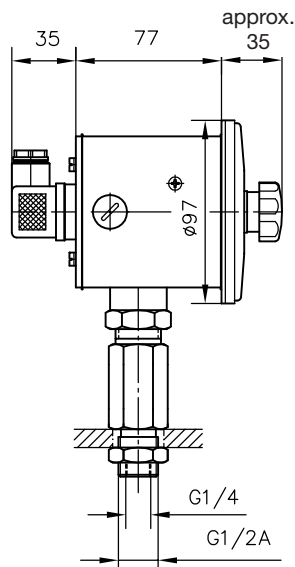
DG 64
Pressure switch type DG 6, pressure range 0...400 bar

Dimensions

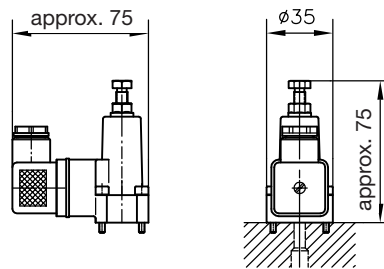
Type DG 1 R
(see order examples)



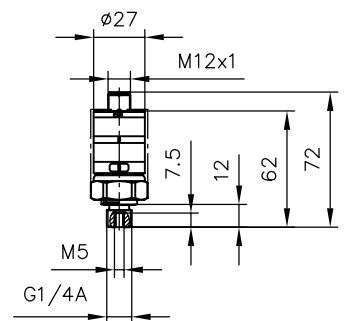
Type DG 8



Type DG 3 ..
(see order examples)

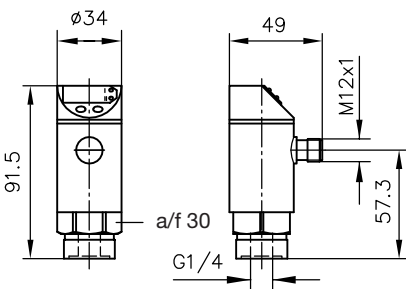


Type DG 6.
(see order examples)

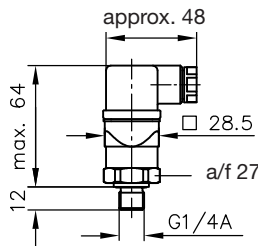


G = BSPP

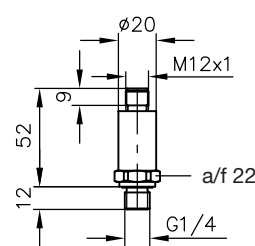
Type DG 5 E



Type DT 11



Type DT 2



Basic type	m (kg)
DG 1 R	1.3
DG 8	1.35
DG 3..	0.3
DG 5 E	0.25
DT 11	0.08
DT 2	0.70

All dimensions in mm, subject to change without notice!

Further information

- Pressure switches type DG D 5440
- Fittings type X D 7065
- type X84 D 7077
- Electronic pressure switch type DG 5E D 5440 E/1
- type DG 6 D 5440 F
- Analogous pressure sensor type DT 11 D 5440 T/2
- type DT 2 D 5440 T/1

• See also section "Devices for special applications" (Hydraulics for clamping purposes, Press controls, Devices for up to 700 bar)

For page and section of the devices additionally listed, see type index