

Directional seated valves type VZP

These type VZP use spring loaded balls or cones as valve elements and therefore do not show any leakage.

They are manifold mounting and are available in one size only. The twin lay-out of the 3/2- and 2/2-way directional seated valves means that all functional elements for valve function and actuation share one housing, making them very compact.

Depending on pairing, these valves can fulfill either one 4/4-, 4/3-, 3/3-way function or two independent 3/2- and 2/2-way functions.

When compared with single valves of conventional lay-out, the twin design is more advantageous due to lower spatial requirements and the

possibility to mount pressure switches monitoring the consumer pressure. Especially the valve banks type BVZP consisting of several valves of this type, connected in parallel, propel these features and benefits.



Nomenclature: Directional seated valve, zero leakage

Design: Individual valve, manifold mounting

Actuation: Solenoid

P_{max} : 250 ... 450 bar

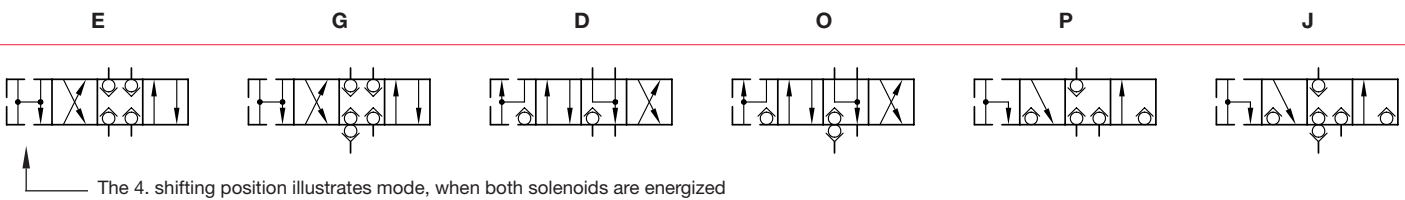
Q_{max} : 5 ... 15 lpm

Basic types and general parameters

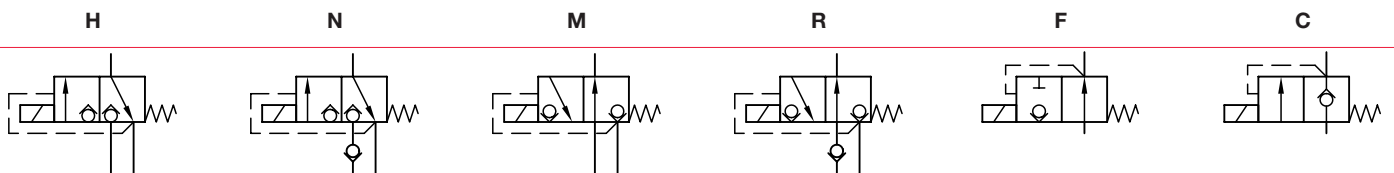
Basic type and size	Flow Q_{max} (lpm)	Oper. pressure P_{max} (bar)	Perm. return pressure (bar)
VZP1	5 ... 15	250 ... 450	20

Symbols

Cone seated valves with 4/3- (4/4-) or 3/3- (3/4-) way functions up to 400 bar



Ball seated valves with 3/2- (2/2-) way functions up to 450 bar (always two valve functions in one valve body)



Solenoid voltage

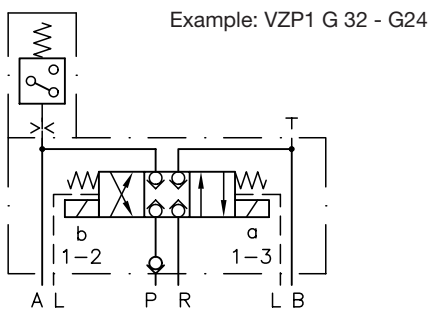
- 12V DC, 24V DC, 230V AC 50/60 Hz
- Other voltage on request
- Plug with LED, improving EMC, (see also section "Additional information")
- Version with plug M12-design and solenoid 8 Watt-design

Additional versions

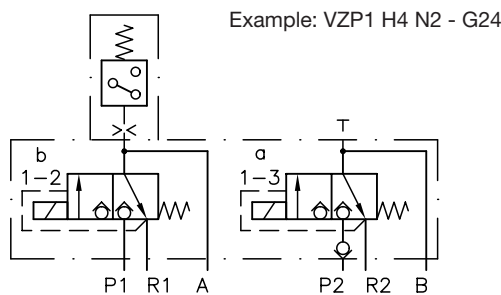
- 4/2-way function, directional spool valve
- Individual valve with orifice in port P and/or return pressure stop in the port R
- Pressure switches connected to the consumer port
- Connection blocks for direct pipe connection

Basic symbols

4/3- (4/4-), 3/3- (3/4-) way function



3/2- (2/2-) way function



Order examples

VZP 1 G32 - G24

Directional seated valve type VZP, size 1, flow pattern G with pressure switch type DG 33 in port A (coding 3), prepared for retrofitting of a pressure switch type DG 3.. in port B (coding 2), solenoid voltage 24V DC

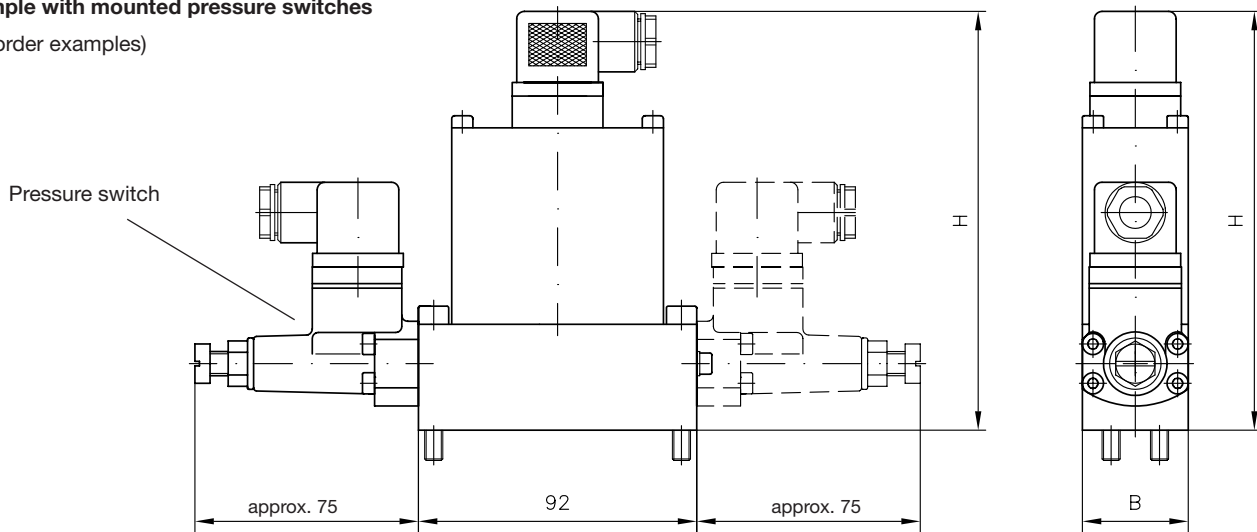
VZP 1 H4 N2 - G24

Directional seated valve type VZP size 1, flow pattern H with pressure switch type DG 34 at port A (coding 4), flow pattern N, prepared for retrofitting of a pressure switch type DG 3.. in port B (coding 2), solenoid voltage 24V DC

Dimensions

Example with mounted pressure switches

(see order examples)



All dimensions in mm, subject to change without notice!

Basic type	H	B	m (kg)
VZP	137 ... 142	35 ... 39	1.9 ... 2.2
			+ 0.3 per mounted pressure switch

Additional information

- Directional seated valves type VZP D 7785 A
- Valve banks type BVZP D 7785 B
- Plug with LED etc. D 7163
- Pressure switches type DG3.., DG5E D 5440, D 5440 E/1

For page and section of the devices additionally listed, see type index