

Directional seated valves type VH, VHR, and VHP

The directional seated valves types VH, VHR and VHP operate leakage free and are available in two different sizes.

They are operated via a hand lever on an eccentric shaft transferring the switching moment to an actuation pin acting on the valve elements (balls). The actuation either features a detent or is self returning to its idle position.

Valve banks type VHR are also available, featuring individual valves (type VH) connected in parallel and held together with tension rods.

Valves type VHP size 1 is also available as individual manifold mounting version.

Nomenclature: Directional seated valve, zero leakage

Design: Individual valve for pipe connection
Individual valve, manifold mounting, bankable

Actuation: Manual

P_{max} : 500 ... 700 bar

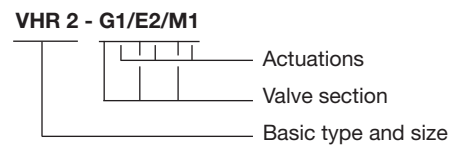
Q_{max} : 12 ... 25 lpm



Basic types and general parameters

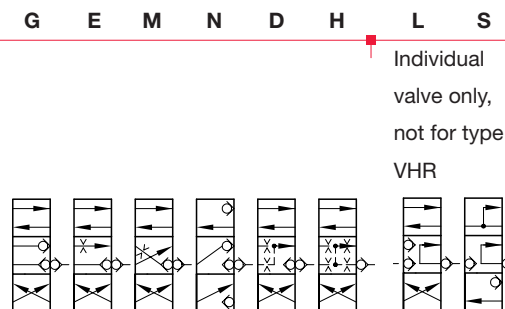
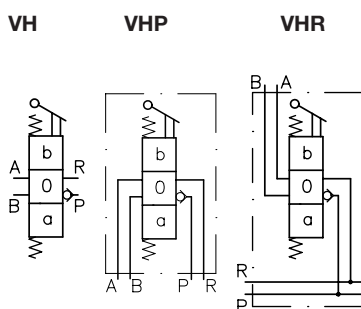
Basic type and size		Flow	Oper. pressure	Tapped ports (BSPP)
Individual valve	Valve bank	Q_{max} (lpm)	p_{max} (bar)	P, R, A, B
VH 1, VHP 1	VHR 1	12	700	G 1/4
VH 2	VHR 2	25	500	G 3/8

Order coding example



Symbols

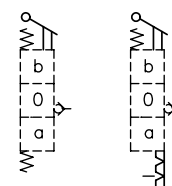
Basic symbols



Max. 7 or 5 valves for type VHR, (size 1 or 2) may be combined

Actuations

Spring return 1 ¹⁾ **Detent** 2



¹⁾ Self-return to idle position only up to approx. 50 bar. The hand lever has to be returned manually for pressure above 50 to 700 bar.

Additional versions

- Actuation with contact switch, option for individual valves and valve banks

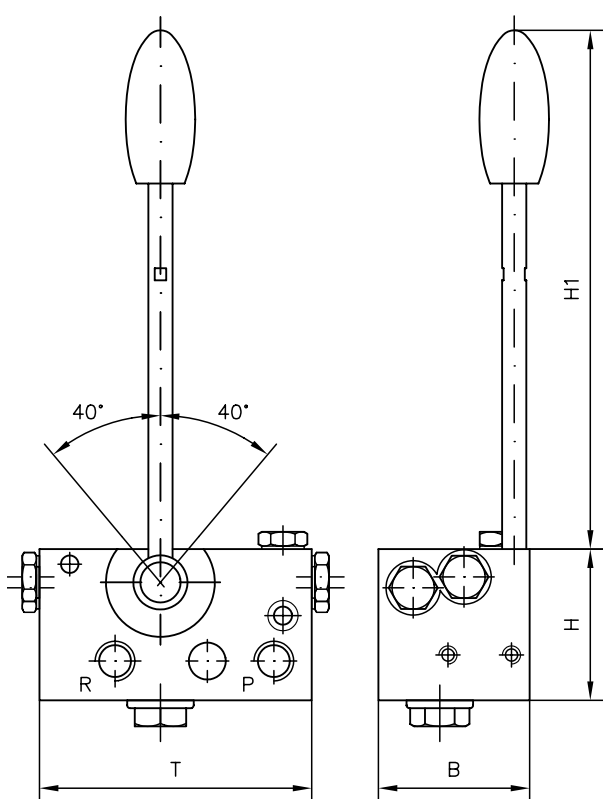
Order examples

VH 2 - G1 K

Directional seated valve type VH, size 2, flow pattern G, hand lever with spring return (coding 1) and contact switch monitoring the idle position (coding K)

Dimensions

Type VH..., individual valve



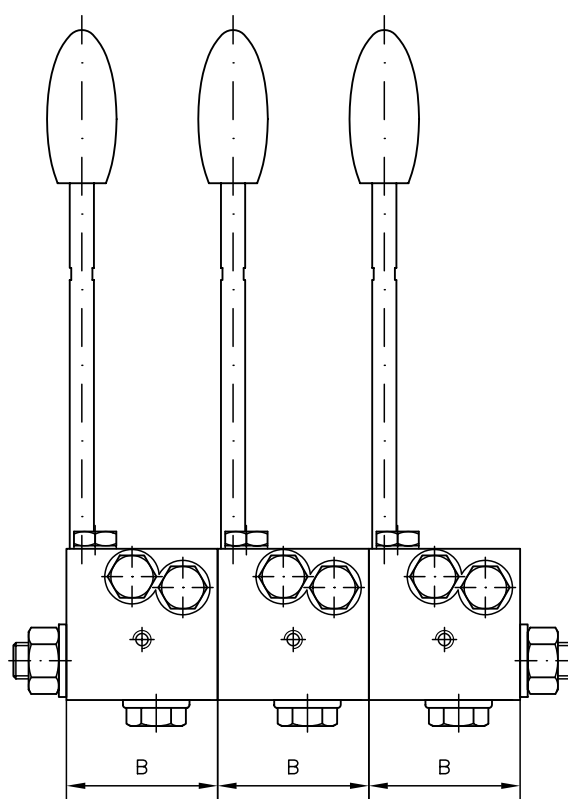
- Directional seated valve, manifold mounting type VHP (see also section "Additional information")

VHR 1 - G1 / N1 / E2

Valve bank type VHR, size 1, flow pattern G, N, E, hand lever with spring return (coding 1) or detent (coding 2)

Type VHR..., valve bank

(see order example)



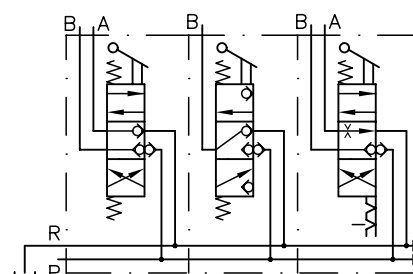
Basic type	H	H1	B	T	m (kg) ²⁾
VH1, VHP1	50	approx. 172	50	90	1.6
VHR1	50	approx. 172	50	90	1.6
VH2	60	approx. 162	60	120	3
VHR2	60	approx. 162	60	120	3

All dimensions in mm, subject to change without notice!

²⁾ Indiv. section

Additional information

- Directional seated valves type VH, VHR, VHP D 7647
type BVG1, BVP1, NBVP 16 D 7765
- Shut-off valves type DA, EA D 1741



- See also section "Devices for special applications" (Devices for up to 700 bar)

For page and section of the devices additionally listed, see type index