

Electronic Relay Incorporated Solenoid Operated Directional Valves

Drive power source and signal are separate.

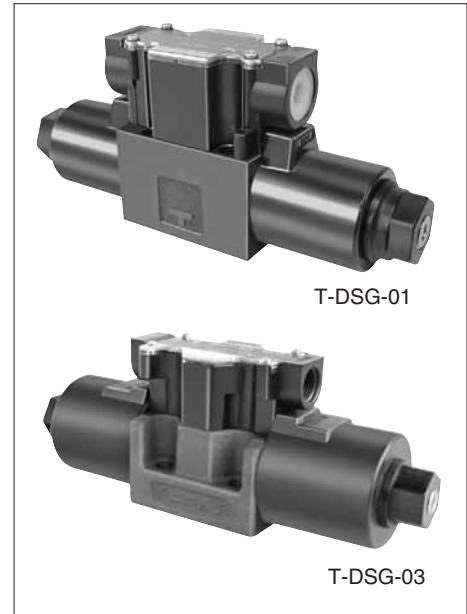
The valve is actuated by operating a built-in switch using a very small current signal (about 10 mA) when the solenoid is energised.

- **A Direct Drive by a programmable controller is now possible.**

As the valve can be actuated by a very small current, as we have mentioned, a Direct Drive is possible on the output circuit of the programmable controller or sequence controller.

- **Simple construction and stable operation.**

Since the valve is a direct type, the construction is quite simple. Also the solenoid is the well proven wet armature type, which can withstand contamination. Therefore a stable operation can be obtained.



Specifications

Valve Type	Model Numbers	Max. Flow ★ L/min (U.S.GPM)	Max. Operating Pressure MPa (PSI)	Max. T-Line Back Pressure MPa (PSI)	Max. Changeover Frequency Cycle/min {min ⁻¹ }	Mass kg (lbs.)
Standard Type	T-DSG-01-3C*-D24*-70/7090	100 (26.4)	35 (5080)	21 (3050)	300	1.85 (4.08)
	T-DSG-01-2D2-D24*-70/7090					
	T-DSG-01-2B*-D24*-70/7090					
Shockless Type	T-S-DSG-01-3C*-D24*-70/7090	63 (16.6)	25 (3630)	21 (3050)	120	1.85 (4.08)
	T-S-DSG-01-2B2-D24*-70/7090					
Standard Type	T-DSG-03-3C*-D24*-50/5090	120 (31.7)	31.5 (4570) { Spool Type 60 Only } 25 (3630)	16 (2320)	240	5 (11.03)
	T-DSG-03-2D2-D24*-50/5090					
	T-DSG-03-2B*-D24*-50/5090					
Shockless Type	T-S-DSG-03-3C*-D24*-50/5090	120 (31.7)	25 (3630)	16 (2320)	120	5 (11.03)
	T-S-DSG-03-2B2-D24*-50/5090					

★ Maximum flow indicates a ceiling flow. As the ceiling flow depends on the type of spool and operating condition the same as those for standard DSG-01/03, refer to the List of Spool Functions on [pages 347 - 351](#) (DSG-01) and [364 - 368](#) (DSG-03) for details.

Model Number Designation

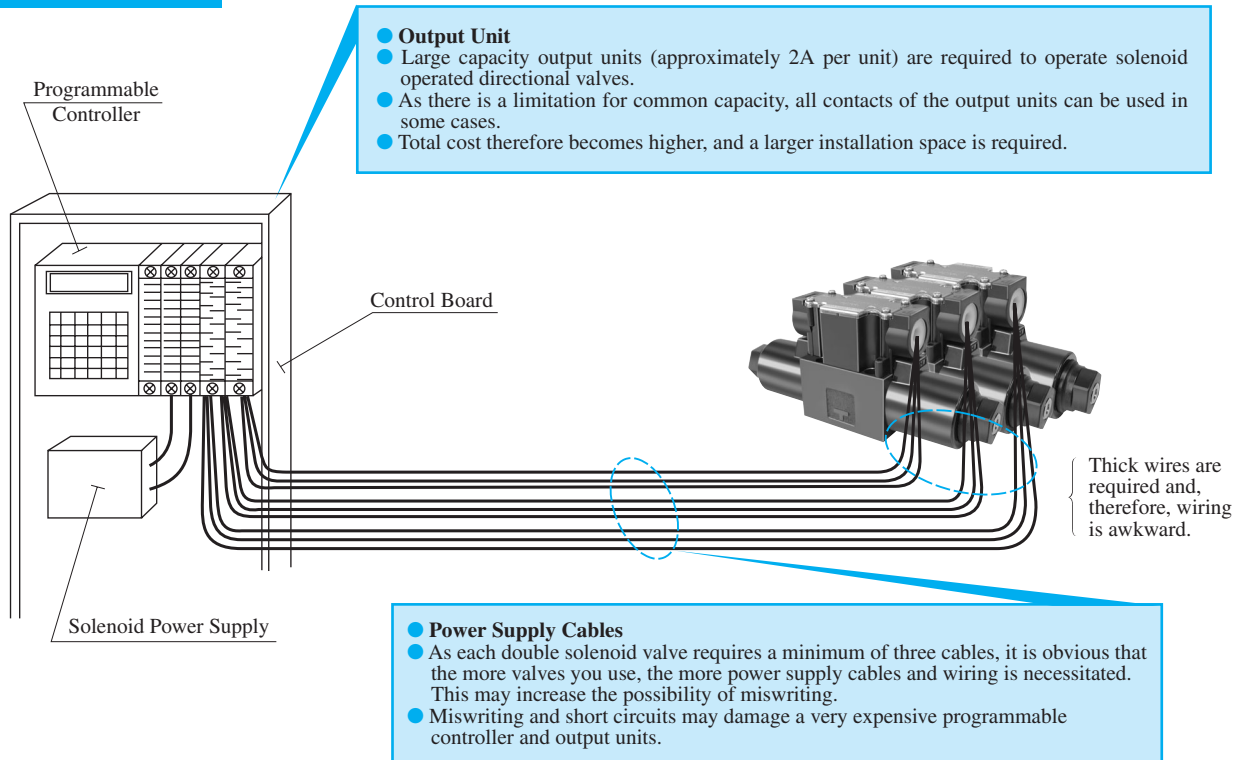
F-	T-	S-	DSG	-03	-2	B	2	A	-D24	M	-70	*	-L
Special Seals	Control Type	Type	Series Number	Valve Size	Number of Valve Position	Spool-Spring Arrangement	Spool Type	Special Two Position Valve	Coil Type	Supply Type of Signal Power	Design Number	Design Standard	Models with Alternate Offset Solenoid
	T: Electronic Relay Incorporated Type			01					DC D24	None: Internal Signal Power	70		
				03						M: External Signal Power	50		

★ Please refer to the valve type DSG-01 and DSG-03 shown on [page 346](#) and [363](#) for the area shaded.

For details, please contact us.

Comparison of The Conventional Type and The Electronic Relay Incorporated Type

Conventional Type



Electronic Relay Incorporated Type

